



EVERWOOD[®]

Premium Exterior WPC


PERGOLAS & FINS PRODUCT CATALOGUE



Your Imagination,
Our Composites.

PERGOLAS & FINS

“
YOUR
IMAGINATION
OUR
COMPOSITES
”



Everwood Lite
(Commercial Project)

Everwood hollow profiles are the perfect material for pergolas, gazebos and elevation features. Our lightweight sections replace heavy steel frames or wood which demand periodic maintenance and painting to avoid deterioration from exposure to weather or corrosion. Everwood profiles retain premium wood aesthetics in terrace and garden pergolas, cantilever features, car parks, elevation features of buildings and other applications.



LIGHTWEIGHT
SECTIONS



HIGH
STRENGTH



NO SURFACE
COATING



HIGH DURABILITY
PRESERVED
AESTHETICS



DESIGN
OPTIONS



Lite

Absolute Design Delight.

Everwood Light weight posts, beams and fins are reinforced with mild steel tubes where necessary, to offer design preferences in pergolas, gazebos and elevation features. High strength and impact resistant, Lite profiles have a much longer life span than wood with minimal maintenance.

Elevation Fin

Profile Code: EWD100X40

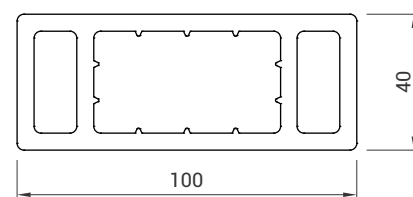
Standard Length : 3.2 mts / 10'5"

Surface Finishes : Sanded



Nogal

Mahogany



Pergola Fin

Profile Code: EWD120X60

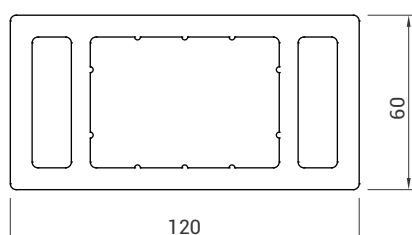
Standard Length : 3.2 mts / 10'5"

Surface Finishes : Sanded



Nogal

Mahogany



Lite

Pergola Beam

Profile Code: EWD175X70

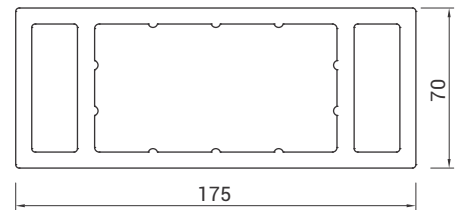
Standard Length : 3.2 mts / 10'5"

Surface Finishes : Sanded



Nogal

Mahogany

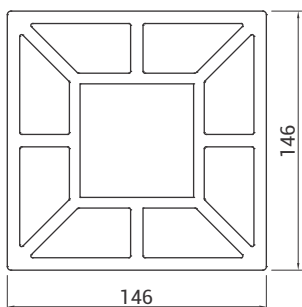


Pergola Post

Profile Code: EWD146X146

Standard Length : 2.7 mts / 8'11"

Surface Finishes : Sanded



Nogal

Mahogany





Scan the QR Code for
Website



EVERWOOD[®]

Premium Exterior WPC

Corporate Office:
No. 11, Dhandayudhapani Nagar,
2nd Street, Kotturpuram,
Chennai - 600 085.

 www.everwoodwpc.com

Channel Partner